

# PPC-6191C

## 19" Configurable Panel PC Chassis for Selectable Mini-ITX Motherboards



### Features

- 19" true-flat panel PC with resistive touch
- Supports certified mini-ITX motherboards (up to 45W TDP processor)
- PCI or PCIe expansion slots
- Front-facing power status LED indicators
- IP65-rated front panel
- Optional VESA mount module



### Specifications

Model		PPC-6191C-RTAE	PPC-6191C-RMAE
Supported Motherboard		PPC-MB-8260AE	<ul style="list-style-type: none"> <li>▪ AIMB-275</li> <li>▪ AIMB-226</li> </ul>
Chassis	Storage	1 x 2.5" SATA HDD bay	2 x 2.5" SATA HDD bay
	I/O	4 x Reserved ports (DB9) 2 x WLAN antenna holes	
		1 x AC inlet 1 x Power switch Reserved opening: According to the PPC-MB-8260AE motherboard specifications	1 x AC inlet 1 x Power switch 1 x DP (input, for connecting the motherboard and LVDS panel) 1 x USB 2.0 (input, for connecting the motherboard and touch controller) Reserved opening: According to the motherboard specifications
	Expansion	1 x PCIe x4 or 2 x PCI (in the accessory box) 2 x PCIe x1 (optional) 1 x PCIe x1 + 1 x PCI (optional)	1 x PCIe x4 or 1 x PCI (in the accessory box)
	Speaker	2 x 1 W	2 x 1 W (optional)
Fan	2 x 12V; 60 x 60 x 15 mm (2.36 x 2.36 x 0.59 in)		
Physical Characteristics	Dimensions (W x H x D)	454 x 379.8 x 107.5 mm (17.9 x 15 x 4.2 in)	
	Weight	5.8 kg (12.8 lb)	
OS Support	OS Support	According to motherboard specifications	
Power Consumption	Input Voltage	100 ~ 240 V <sub>AC</sub> , 250W	
	Display Type	19" TFT LED panel	
LCD Display	Max. Resolution	1280 x 1024	
	Viewing Angle	85 (left), 85 (right), 80 (up), 80 (down)	
	Luminance (cd/m <sup>2</sup> )	350	
	Contrast Ratio	1000	
	Backlight Lifetime	50,000 hr	
Touchscreen	Touch Type	5-wire analog resistive, with optional projected capacitive touch	
	Light Transmission	80+/-5%	
	Controller	USB interface	
	Durability	35 million touches	
Environment	Operating Temperature	0 ~ 50 °C (32 ~ 122 °F) 0 ~ 45 °C (32 ~ 113 °F) with VESA mount module	
	Storage Temperature	-30 ~ 60 °C (-22 ~ 140 °F)	
	Relative Humidity	10 ~ 95% @ 40 °C (non-condensing)	
	Shock	Operating: 10 G peak acceleration (11 ms duration), IEC 60068-2-27 compliant	
	Vibration	Operating: Random vibration test 5 ~ 500 Hz, 1 Grms @ with HDD, IEC 60068-2-64 compliant	
	EMC	BSMI, CE, FCC, Class A	CE, FCC, Class A
	Safety	BSMI, CB, CCC, UL	CB, CCC, UL
	Front Panel Protection	IP65 compliant	

## Motherboard Specifications

### PPC-MB-8260AE (For PPC-6191C-RTAE only)

<b>CPU</b>	i7-6700TE	i5-6500TE	i3-6100TE	Pentium G4400TE	Celeron G3900TE
	Quad Core	Quad Core	Dual Core	Dual Core	Dual Core
	3.4 GHz	3.3 GHz	2.7 GHz	2.4 GHz	2.3 GHz
	8 MB	6 MB	4 MB	3 MB	2 MB
	35W	35W	35W	35W	35W
<b>Chipset</b>	H110				
<b>Memory</b>	1 x 260-pin SODIMM DDR4, 2133 MHz, up to 16 GB (non-ECC)				
<b>Network (LAN)</b>	2 x 10/100/1000 Mbps Ethernet and 2 x Intel® I211				
<b>Rear I/O</b>	1 x RS232/422/485, 1 x RS232, 1 x DP1.2, 1 x VGA, 4 x USB3.0, 1 x Line-out, 1 x Mic-in				
<b>Internal Connector</b>	3 x RS232, 1 x GPIO (8 channels), 1 x speaker, 1 x LED, 2 x USB 2.0, 1 x LVDS, 1 x touch control, 2 x SATA				
<b>Watchdog Timer</b>	255 timer intervals, configurable using software				
<b>Expansion</b>	1 x full-size mSATA or mini PCIe and 1 x PCIe x4 slot for riser card				
<b>Dimensions (W x H)</b>	170 x 170 mm (6.69 x 6.69")				
<b>OS Support</b>	Microsoft® Windows 7 (32/64-bit), Windows 8.1/10 (64-bit), Linux				

## Ordering Information

M/B Part Number	Chassis Part Number	Cooler Part Number
PPC-MB-8260AE	PPC-6191C-RTAE	1960053207N001
AIMB-275	PPC-6191C-RMAE	1960053207N001
AIMB-226	PPC-6191C-RMAE	1960061914N001

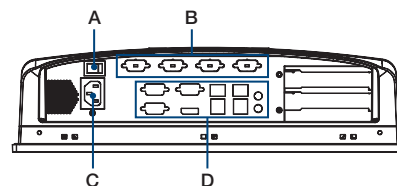
Note 1. The motherboard, chassis, and cooler should be ordered together to ensure easy configuration.  
 Note 2. The chassis is equipped with AC power supply and riser cards.

## Optional Accessories

Part Number	Description
PPC-WLAN-B1E	Wi-Fi module with antenna cable (40 cm) for PPC
1702002605	Power cable (EU) 90D 220 – 250V/6A, 1.8 M
1702002600	Power cable (US) 180D 125V/10A, 1.83 M
1702031801	Power cable (UK), 1.8 M
96CB-POWER-B-1.8M1	Power cable (China), 1.8 M
PPC-6191C-VESAE	VESA module for PPC-6191C (operating temperature 0 ~ 45 °C)
9893BE0200E	PPC-61X1C-RTAE riser card with 2 x PCIe x1 slots
9893BE03000	PPC-61X1C-RTAE riser card with 1 x PCIe x1 and 1 x PCI slots
PPC-ARM-A03	ARM VESA Standard (A-CLEVER) for PPC series
PPC-174T-WL-MTE	Wall mount kit for PPC series
PPC-Stand-A1E	Stand for PPC series

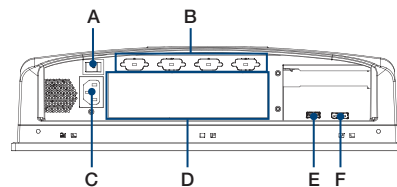
## I/O View

### PPC-6191C-RTAE



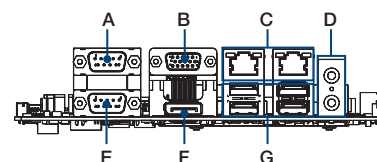
- A. Power switch
- B. Reserved ports
- C. AC inlet
- D. PPC-MB-8260AE I/O port

### PPC-6191C-RMAE



- A. Power switch
- B. Reserved ports
- C. AC inlet
- D. Mini-ITX motherboard I/O port
- E. USB 2.0 (input, for connecting the motherboard and touch controller)
- F. Display port (input, for connecting the motherboard and LVDS panel)

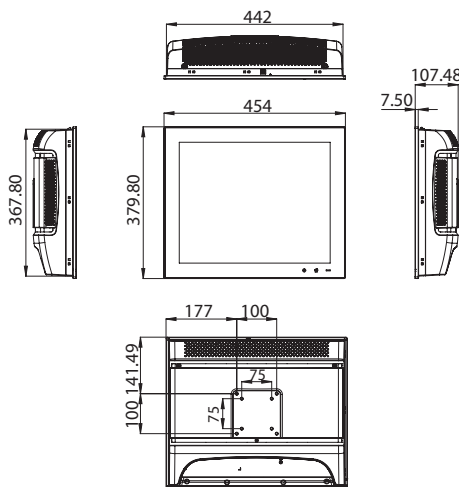
### PPC-MB-8260AE



- A. RS232
- B. VGA
- C. 2 x Gigabit Ethernet
- D. Line-out/Mic-in
- E. RS232/422/485
- F. Display Port
- G. USB 3.0

## Dimensions

Unit: mm



**Optional kit for VESA mounting using M4 8-mm screws**  
**Panel Cutout Dimensions: 444 x 370 mm (17.48 x 14.56 in)**