

PPC-3120

12.1" Fanless Panel PC with
Intel® Atom™ D2550 Processor

NEW



Features

- 12.1" TFT XGA LED Panel with resistive touchscreen
- Embedded Intel® Atom™ processor D2550 1.86 GHz
- System memory up to 4 GB DDR3 1066 SDRAM
- Supports one internal SATA 2.5" HDD and 1 x mSATA socket
- Optional PCI/PCIe x1 expansion kit
- Fanless design and low power consumption
- Automatic data flow control over RS-485
- Adjust RS-232/422/485 through BIOS
- COM1/COM2 pin9 RI/5V/12V adjustable through BIOS
- LED backlight Auto dimming



Introduction

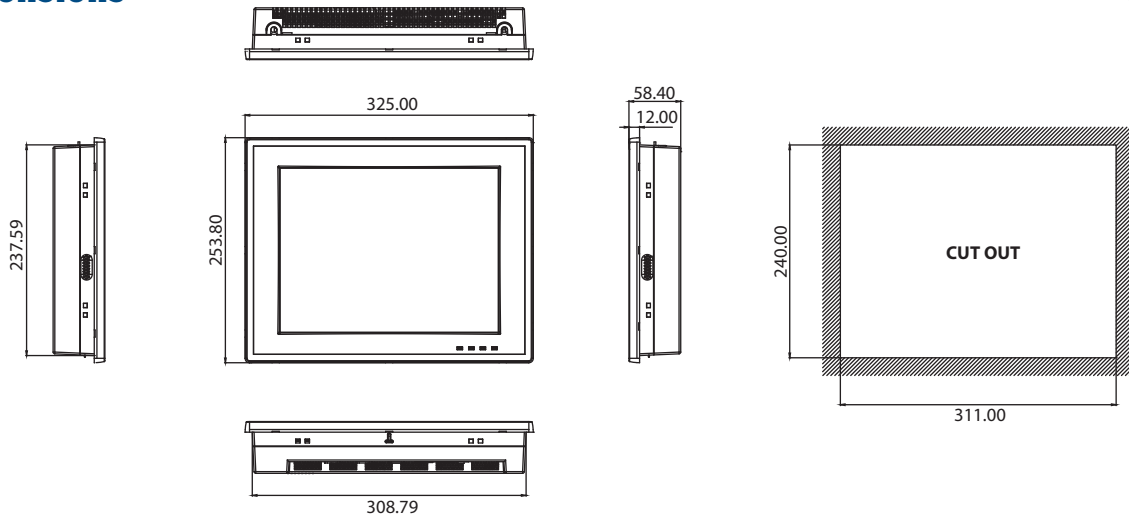
The PPC-3120 is a new 12.1" Panel PC equipped with an Intel Atom processor D2550. Meeting high demands of harsh environments, the fanless design makes PPC-3120 more reliable in different kinds of applications for the machine building industry. In addition, the dual GbE LAN, 4 x serial ports, 4 x USB ports, and GPIO connector make it easier to connect to devices and be integrated into specific solutions. With a user friendly design it comes with an LED indicator on the front panel for power on/off, storage access, and LAN active status.

Specifications

Processor System	CPU	Intel Atom D2550 1.86 GHz 10W Dual Core CPU on board
	Memory	SODIMM x 1, DDR3 1066, Max 4 GB
	2nd Cache Memory	1 MB
	Chipset	Intel NM10
	Storage	mSATA*1
	HDD	1 x 2.5" SATA HDD Bay (Internal)
	I/O Ports	4 x Serial ports: 3 x RS-232, 1x RS-232/422/485 (Adjustable through BIOS) 4 x USB 2.0 ports 1 x Line-out, 1x MIC-in 1 x DB15 VGA 1 x DB9 GPIO port (8 pin programmable)
	Bus Expansion	1x MINI PCI-e (Standard), 1 x PCI / 1 x PCI-e through riser (Optional)
	Network (LAN)	2 x 10/100/1000 Mbps Ethernet
	Speaker	2 x 1W speakers
	Watchdog Timer	255 timer levels; setup by software
Dimensions (W x H x D)	325 x 253.8 x 58.4 mm (12.79" x 10" x 2.3")	
Weight	3.3 kg (7.27 lb)	
OS Support	OS Support	Win XPE, Win XP Pro, WES7 32 bit, Win CE 7.0
Power Supply	Input Voltage	DC 12 ~ 30 V
LCD Display	Display Type	12.1" TFT LCD (LED Backlight)
	Max. Resolution	1024 x 768
	Colors	262K
	Dot Size (mm)	0.24 x 0.24
	Viewing Angle	80 (left), 80 (right), 80 (up), 80 (down)
	Luminance (cd/m ²)	600
	Brightness Control	Yes
	Operating Temperature	-30 ~ 80°C (-22 ~ 176°F)
Backlight Lifetime	50,000 hrs (typical)	
Touchscreen	Touch Type	Analog Resistive 5-wire
	Resolution	2048 x 2048
	Light Transmission	81+/-3%
	Controller	RS-232 interface
	Software Driver Support	Windows 7, XP, CE
Durability (Touches)	36 million	

Dimensions

Unit: mm



Specifications

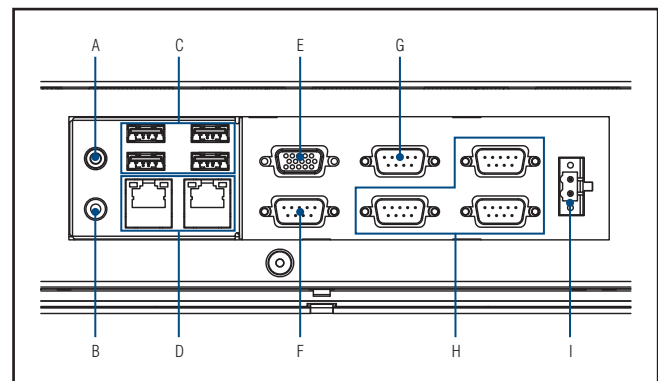
Environment	Operating Temperature	0 ~ 50°C (32 ~ 122°F)
	Storage Temperature	-20 ~ 60°C (-4 ~ 140°F)
	Relative Humidity	10 ~ 95% @ 40°C (non-condensing)
	Shock	Operating 10 G peak acceleration (11 ms duration), follow IEC 60068-2-27
	Vibration	Operating Random Vibration Test 5~500Hz, 1Grms, follow IEC 60068-2-64
	EMC	BSMI, CE, FCC Class B
	Safety	CB, CCC, BSMI, UL
	Front Panel Protection	IP65 compliant

Ordering Information

Part No.	Description
PPC-3120-R2GAE	Atom D2550 Fanless Panel PC with 12.1" XGA LED backlight, 2 GB DDR3 pre-installed
PPC-3120-R4GAE	Atom D2550 Fanless Panel PC with 12.1" XGA LED backlight, 4 GB DDR3 pre-installed
PPC-3120-X2GAE	Atom D2550 Fanless Panel PC with 12.1" XGA LED backlight, w/o touch, 2 GB DDR3 pre-installed
PS-DC19-L157E	19V power adapter module
1700001524	Power cord 3P UL 10A 125V 1.8m
170203183C	Power cord 3P Europe (WS-010+083)183cm
1700008921	Power cord 3P/3P Power supply 1.8M PSE
* PPC-174T-WL-MTE	Wall mount kit for PPC series
* PPC-ARM-A03	PPC ARM VESA Standard
* PPC-3100-STANDE	Desktop Stand for PPC-3100 series
PPC-3100-VESAE	PPC-3100 VESA bracket module
PPC-3100-WLANE	PCIe Half Mini Card WLAN module for PPC-3100 series
PPC-3120-EXPE	Add-on box for PCI or PCIe expansion (include PCI / PCIe riser card)

* if you order Wall mount kit / ARM / Desktop stand, please also order PPC-3100-VESAE at the same time.

I/O



- A. MIC in
- B. Line Out
- C. USB 2.0 x 4
- D. 10/100/1000 Mbps Ethernet x 2
- E. VGA Port
- F. DIO Port
- G. RS-232/422/485 x 1
- H. RS-232 x 3
- I. DC Inlet